
Using CellPax Modular Prototyping Enclosures

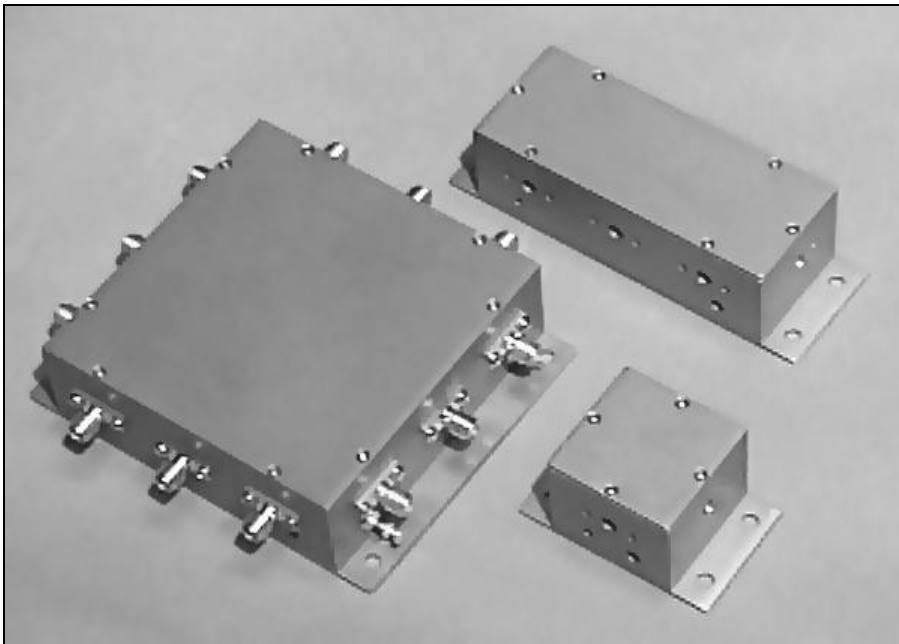
CellPax are unique, modular enclosures designed for rapid fabrication and characterization of RF signal processing circuits using the universal ProtoCell circuit boards. Three CellPax enclosure sizes are available to accommodate up to one, three, or nine ProtoCell circuit boards. Use CellPax for low volume production applications, or anywhere a professional, finished circuit is needed.

CellPax enclosures and covers are fabricated from aluminum to give superior RF shielding and a professional appearance. Provisions for RF connectors are available on all sides of the enclosures for maximum interfacing flexibility. In

addition, sides have threaded holes for ground terminals and filter feedthrus for bias or signal connections.

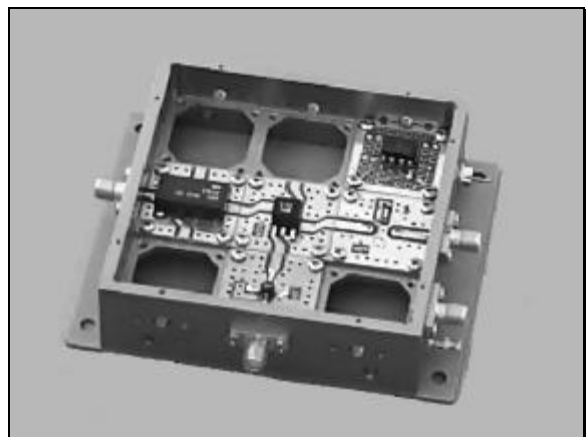
The interior of each CellPax enclosure has a matrix of 2-56 threaded holes to secure each ProtoCell circuit board and provide precise alignment to adjacent cells.

Separate top and bottom covers allow access to both sides of the circuit and attach to the enclosures to provide a secure, shielded environment. Mounting CellPax enclosures is easy, with convenient mounting holes located in the bottom covers.



Three sizes offer flexibility and economy.

Combine multiple circuit functions into a single, convenient, enclosed subsystem that is suitable for prototypes or low rate production products.



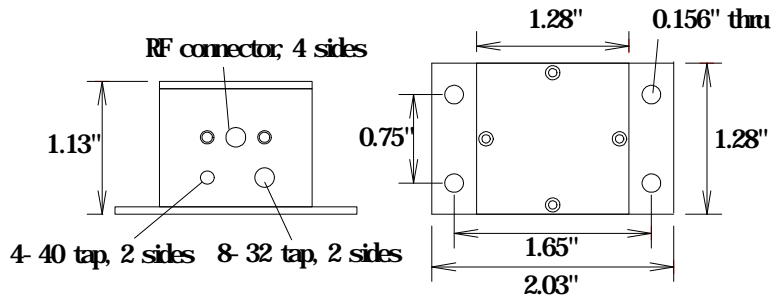
Three CellPax Enclosures to Choose From

EN-11

The EN-11 will fit a single ProtoCell circuit board. All four sides of the enclosure have a hole pattern to fit a 2-hole RF connector, and two sides have threaded holes for feedthrus and ground terminals.

Ordering Options:

- EN-11 Enclosure only
- EN-11-001 Enclosure, 2 SMA connectors,
 1 ground terminal, 1 feedthru
- EN-11-002 Enclosure, 4 SMA connectors,
 1 ground terminal, 1 feedthru

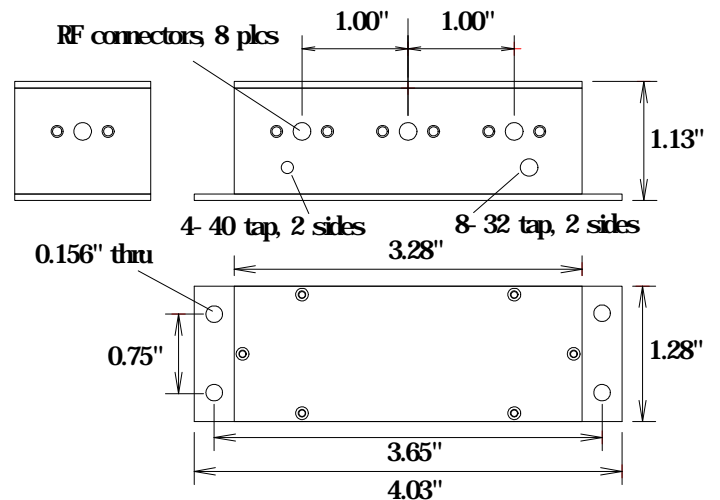


EN-13

The EN-13 will fit up to three ProtoCell circuit boards. All four sides of the enclosure have hole patterns to fit 2-hole RF connectors at all ports. Threaded holes for feedthrus and ground terminals are located on both of the long sides.

Ordering Options:

- EN-13 Enclosure only
- EN-13-001 Enclosure, 2 SMA connectors,
 1 ground terminal, 1 feedthru
- EN-13-002 Enclosure, 8 SMA connectors,
 1 ground terminal, 1 feedthru



EN-33

The EN-33 will fit up to nine ProtoCell circuit boards. All four sides of the enclosure have hole patterns to fit up to three, 2-hole RF connectors. Threaded holes for feedthrus and ground terminals are located on all sides.

Ordering Options:

- EN-33 Enclosure only
- EN-33-001 Enclosure, 6 SMA connectors,
 2 ground terminals, 2 feedthrus
- EN-33-002 Enclosure, 12 SMA connectors,
 3 ground terminals, 3 feedthrus

